



LEFROY BROOKS

1 8 2 8 T R O U T M A N S T R E E T  
R I D G E W O O D N E W Y O R K N Y 1 1 3 8 5 U S A  
T : + 1 ( 7 1 8 ) 3 0 2 5 2 9 2 F : + 1 ( 7 1 8 ) 3 0 2 4 1 7 7

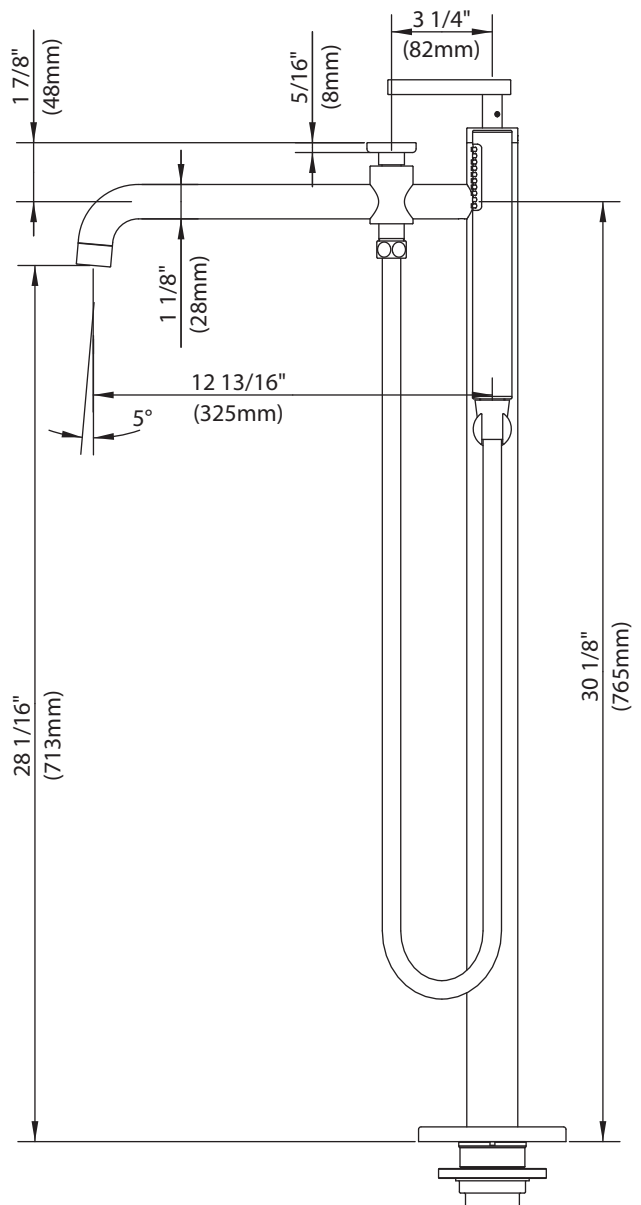
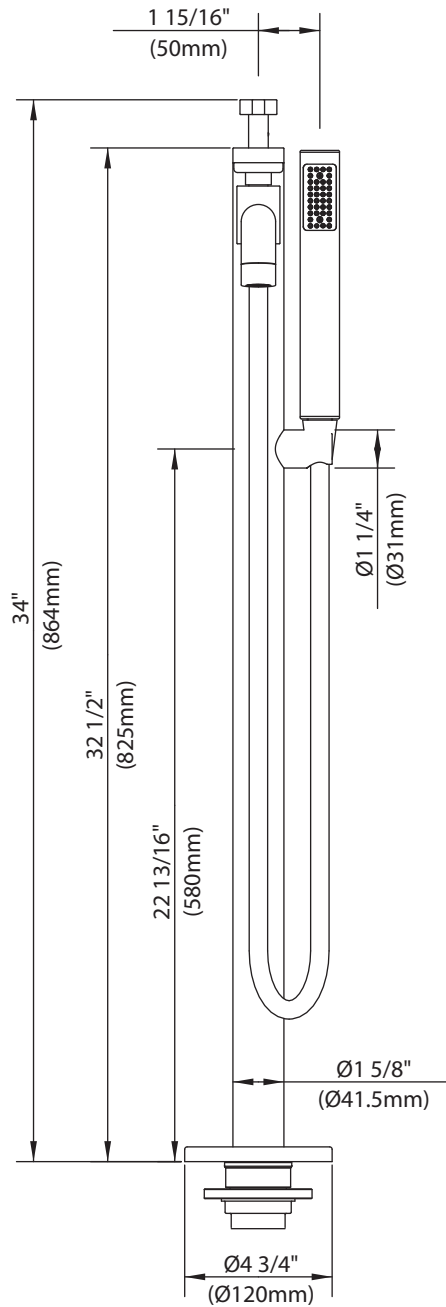
K1-2301

LEVER SINGLE-LEG BATH/SHOWER MIXER TRIM ONLY, TO SUIT  
K1-4210 ROUGH

DIMENSIONAL DATA SHEET

DATE: 25 MARCH 2014

No: A667794



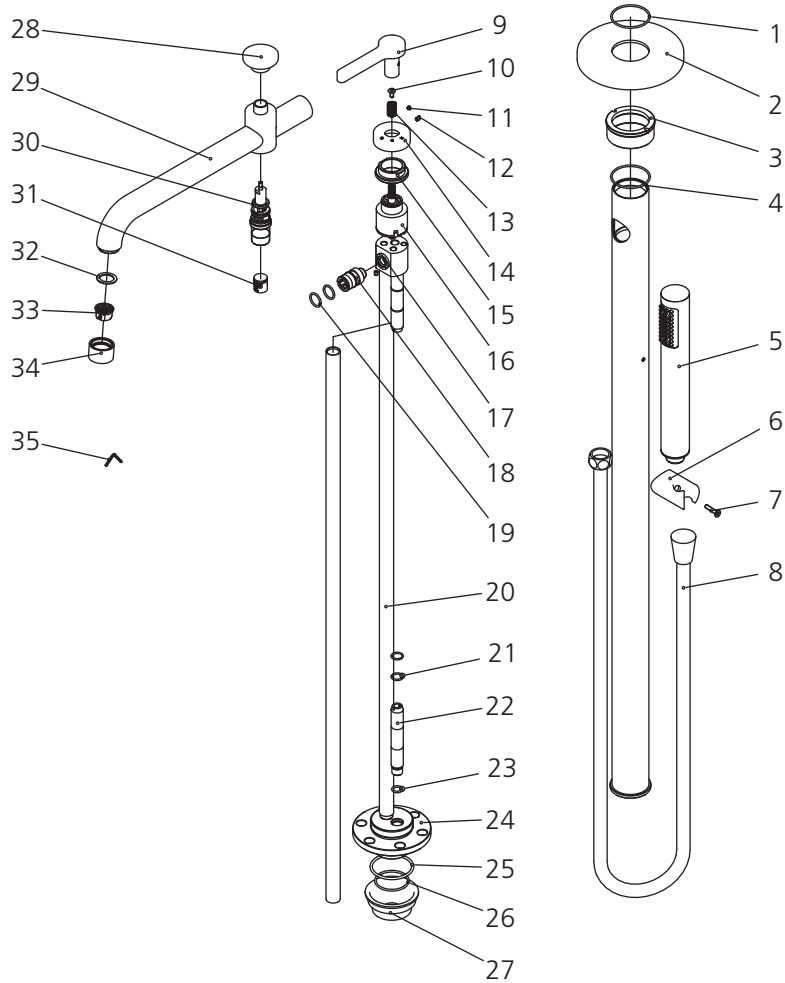
COPYRIGHT © LBIP LTD 2012. ALL RIGHTS RESERVED.

DIMENSIONS IN INCHES & MILLIMETRES

WHILST EVERY EFFORT IS MADE TO ENSURE THE ACCURACY OF THESE DATA SHEETS THEY ARE SUBJECT TO CHANGE WITHOUT NOTICE AS PART OF THE COMPANY'S PRODUCT DEVELOPMENT PROCESS

# K1-2301

LEVER SINGLE-LEG BATH/SOWER MIXER TRIM ONLY, TO SUIT K1-4210 ROUGH

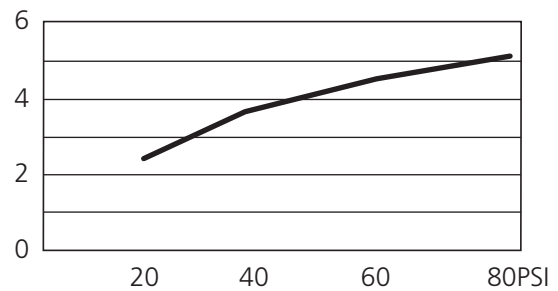


- |    |                          |    |                         |    |                             |
|----|--------------------------|----|-------------------------|----|-----------------------------|
| 1  | O-ring (072014)          | 13 | Adapter (057673)        | 25 | O-ring (004045N)            |
| 2  | Escutcheon (019319)      | 14 | Handle Base (215358-50) | 26 | O-ring (072088N)            |
| 3  | Nut (009288)             | 15 | Adjusting Ring (104257) | 27 | Protective Cap (045247)     |
| 4  | Connection Tube (064263) | 16 | Cartridge (507859N)     | 28 | Button (036270)             |
| 5  | Hand shower (S2111104)   | 17 | Inside Body (066551)    | 29 | Spout Assembly (523835)     |
| 6  | Shower bracket (112424)  | 18 | Adapter (067927)        | 30 | Diverter (501364)           |
| 7  | Screw (008734)           | 19 | O-ring (072016)         | 31 | Backflow Preventer (519208) |
| 8  | Shower hose (105681)     | 20 | Internal Pipe (052130)  | 32 | Oil seal (010899)           |
| 9  | Handle (506078)          | 21 | O-ring (048085)         | 33 | Aerator insert (114237R)    |
| 10 | Screw (065172)           | 22 | Adapter (067928)        | 34 | Aerator Housing (305781)    |
| 11 | Screw (008772)           | 23 | O-ring (004509N)        | 35 | Allen Key (031003)          |
| 12 | Set screw (008191)       | 24 | Body (076701)           |    |                             |

## Standards

IAPMO/cUPC Listed  
Meets A112.18.1

## Flow Rate



Please note :

Final achievable flow rate is dependent on the outlets fitted, see relevant outlets (spouts, roses, sprays) for fully assembled product flow rate.